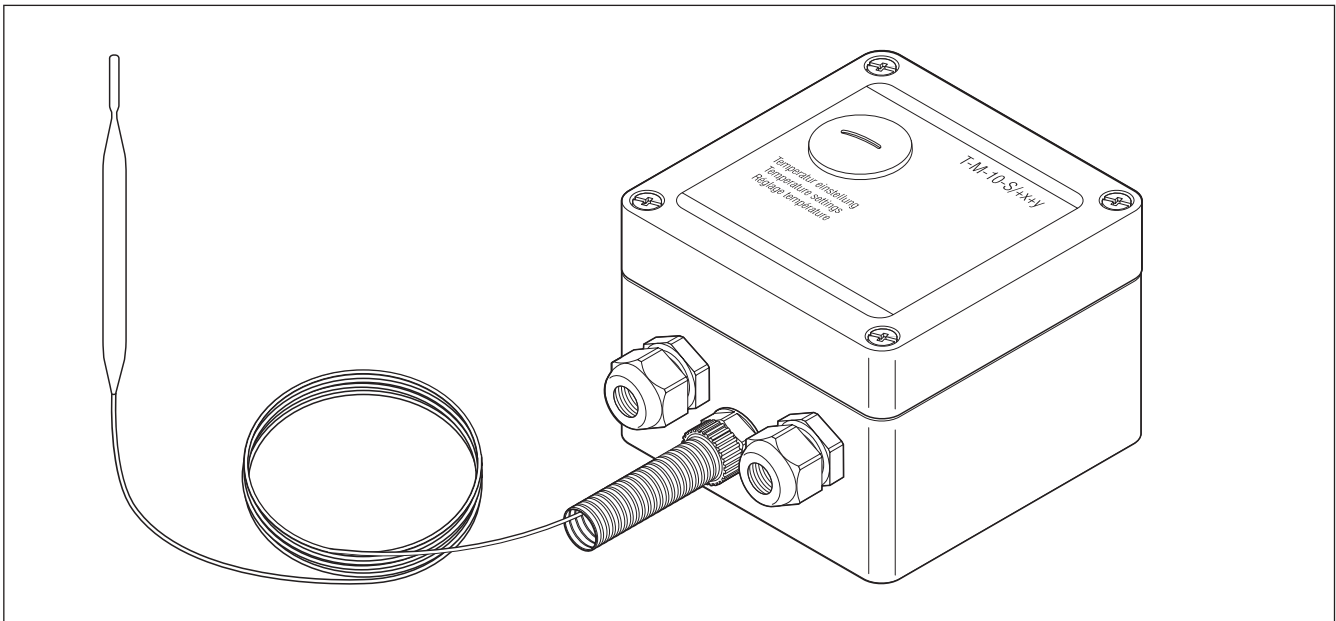


Surface sensing thermostat

A surface sensing thermostat providing temperature control in safe areas. Temperature set point adjustment can be completed, without opening the enclosure, via a removable plug in the lid.

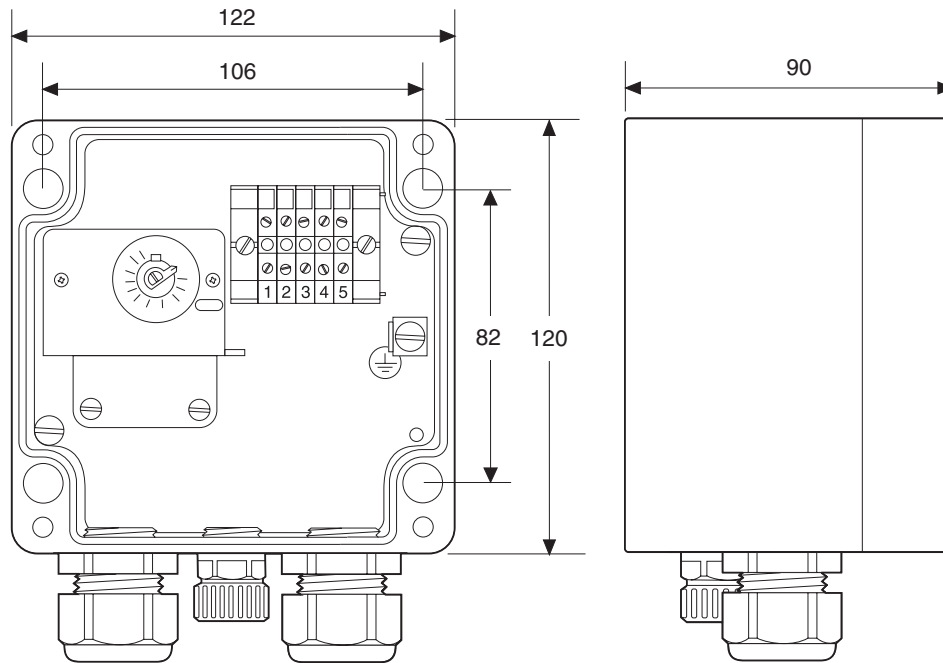
The 2 meter long stainless steel capillary is protected at the enclosure by a flexible conduit. Direct connection of the heating cable is possible.

The thermostat is available in 3 temperature ranges: 0–50°C; 0–200°C; 50–300°C.



	T-M-10-S/0+50C	T-M-10-S/0+200C	T-M-10-S/+50+300C
General			
Area of use	Ordinary area	Ordinary area	Ordinary area
Product specification			
Max rated voltage (nom)	230 VAC	230 VAC	230 VAC
Temperature setting	0°C to +50°C	0°C to +200°C	+50°C to +300°C
Switching type	Single pole change over (SPDT) 100,000 cycles at 16 A	Single pole change over (SPDT) 100,000 cycles at 16 A	Single pole change over (SPDT) 100,000 cycles at 16 A
Switching capacity	Max 16 A	Max 16 A	Max 16 A
Hysteresis / Differential	2.5% of temperature range	2.5% of temperature range	2.5 %of temperature range
Accuracy	±1.5% of setpoint for temperature setting in upper third of range (measured at 22°C)		
Setting	Internal dial, through lid	Internal dial, through lid	Internal dial, through lid
Terminal size	4 mm ²	4 mm ²	4 mm ²
Ambient operating temp. range	-20°C to +80°C	-20°C to +80°C	-20°C to +80°C
Output parameters			
Control relay	Change-over switch	Change-over switch	Change-over switch

Dimensions (in mm)



	T-M-10-S/0+50C	T-M-10-S/0+200C	T-M-10-S/+50+300C
Enclosure			
Protection	IP65	IP65	IP65
Dimension	122 x 120 x 90 mm	122 x 120 x 90 mm	122 x 120 x 90 mm
Materials body and lid	Grey, polyester enclosure		
Lid fixing	4 captive screws, stainless steel		
Entries	2 entries: 1 x M25 Reducer M25 (M) / M20 (F) incl. M20 gland (Ø 8-13 mm) 1 x M20 gland (Ø 8-13 mm)		
Temperature sensor			
Type	Fluid filled capillary, 2 m long		
Dimensions	Ø: 8 mm	8 mm	8 mm
length sensing element:	166 mm	78 mm	56 mm
Material	V4A Stainless Steel		
Exposure temperature	-40°C to +60°C	-20°C to +230°C	-20°C to +345°C
Minimum bending radius	10 mm for capillary, the sensor cannot be bent		
Mounting method			
Support bracket	SB-110 or SB-111 or surface mount	SB-110 or SB-111 or surface mount	SB-110 or SB-111 or surface mount

Ordering description

Ordering references:	PN Number:	Weight:
T-M-10-S/0+50C	105336-000	1 kg
T-M-10-S/0+200C	337388-000	1 kg
T-M-10-S/+50+300C	607672-000	1 kg

Meaning of reference: T-M-10-S/+x+y

T = thermostat

M = mechanical thermostat

10 = control thermostat

S = surface sensing

x = min temperature of control range

y = max temperature of control range

Connection details

